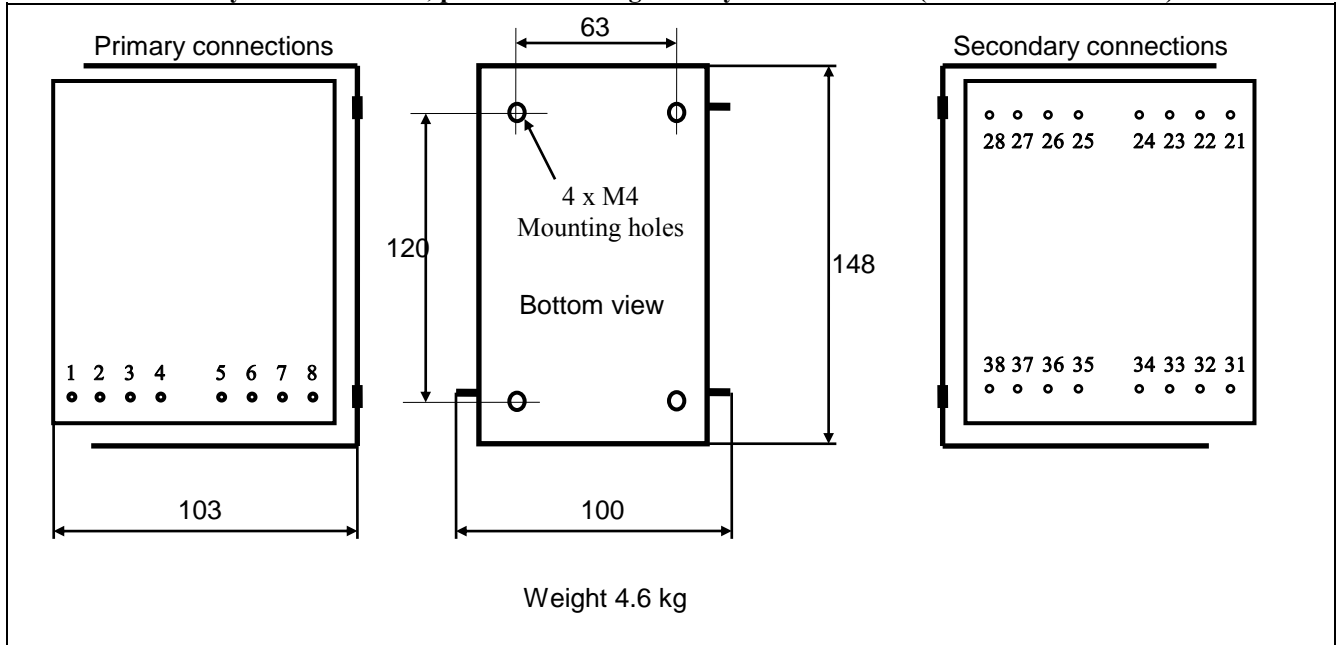


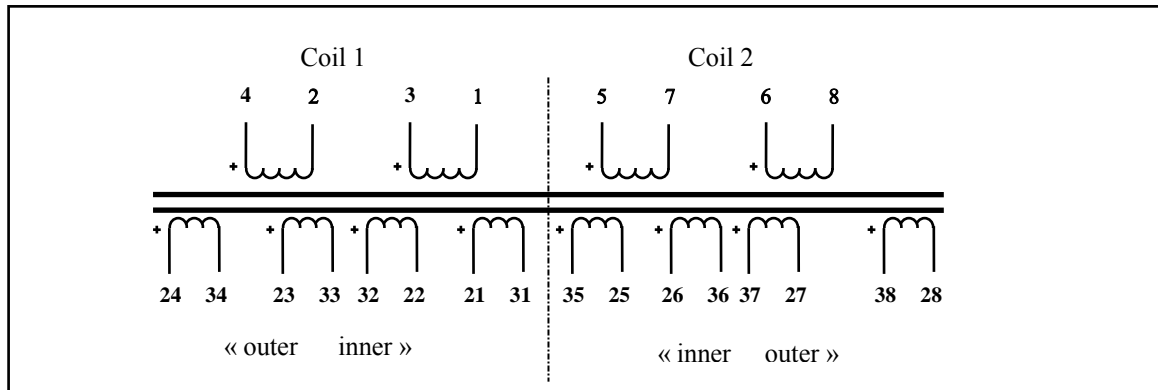
Tube Amplifier Output Transformer LL2768

The LL2768 is a high power tube output transformer primarily for low impedance high power tubes. The transformer is built up from two coils, each consisting of 5 sections. The core is a high quality grain oriented silicon steel C-core from our own production.

Physical dimensions, pin and mounting hole layout for LL2768 (all dimensions in mm)



Winding schematics:



| LL2768 | | | |
|--|--|-------------------|--------------------|
| Turns ratio (approx) | 4 x 9.2 : 8 x 1 | | |
| Static resistance of primary (all in series) | 64 Ω | | |
| Static resistance of each secondary winding (approx..) | 0.4Ω | | |
| Primary leakage inductance (all in series) | To be measured | | |
| Max recommended primary DC current (heat dissipation 12W) | 430 mA | | |
| Max. primary <u>signal</u> voltage r.m.s. at 30 Hz (all in series) | <table border="0" style="width: 100%;"> <tr> <td style="width: 50%; text-align: center;">Push-Pull 530V</td> <td style="width: 50%; text-align: center;">Single End 235V</td> </tr> </table> | Push-Pull 530V | Single End 235V |
| Push-Pull 530V | Single End 235V | | |

Electrical characteristics

Primary Load Impedance, Max power and power loss.

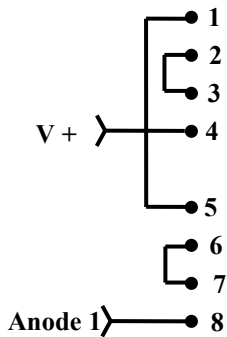
| | Sec. connection for 4/8/16 Ω (See next page) | | |
|----------------------------------|---|----------------|--------------|
| | -B/C | B/C/D | C/D/E |
| | Primary Load Impedance (transformer copper resistance included) | | |
| LL2768 | 2.7 k Ω | 1.2 k Ω | 680 Ω |
| | Power and Loss | | |
| Max. Power, P-P at 30 Hz | 180W | 360W | 700W |
| Max. Power, S.E. at 30 Hz | 35W | 70W | 140W |

Primary DC Current Core Air-gap and Primary inductance

| | LL2768/PP | LL2768/200mA |
|--|-----------|--------------|
| Core Airgap (delta/2) | 25 μ | 340 μ |
| Single end standing current for 0.9 Tesla (recommended operating point) | | 200mA |
| Primary inductance | H | H |

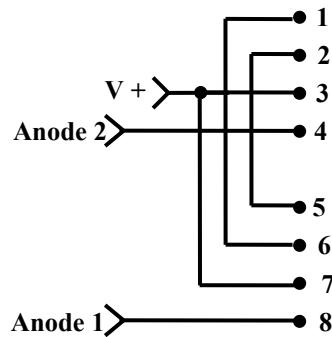
LL2768

Primary connection for Single-End output
stage



LL2768

Primary connection for Push-Pull output
stage



Secondary connections

⊗ Indicates phase

| Max secondary Voltage RMS @ 30 Hz | |
|-----------------------------------|--------------------|
| Push-Pull | Single Ended |
| Copper resistance | Windings in series |

